

# SOCKS PACKAGING

PRINTING SYSTEM FOR CARDBOARD RIDERS

RIDER PRINTER



## SOCKS BOARDING RIDER PRINTER

Electronic thermal transfer printer for cardboard riders and tags, complete with a high capacity feeding magazine and with a collating system for printed products.

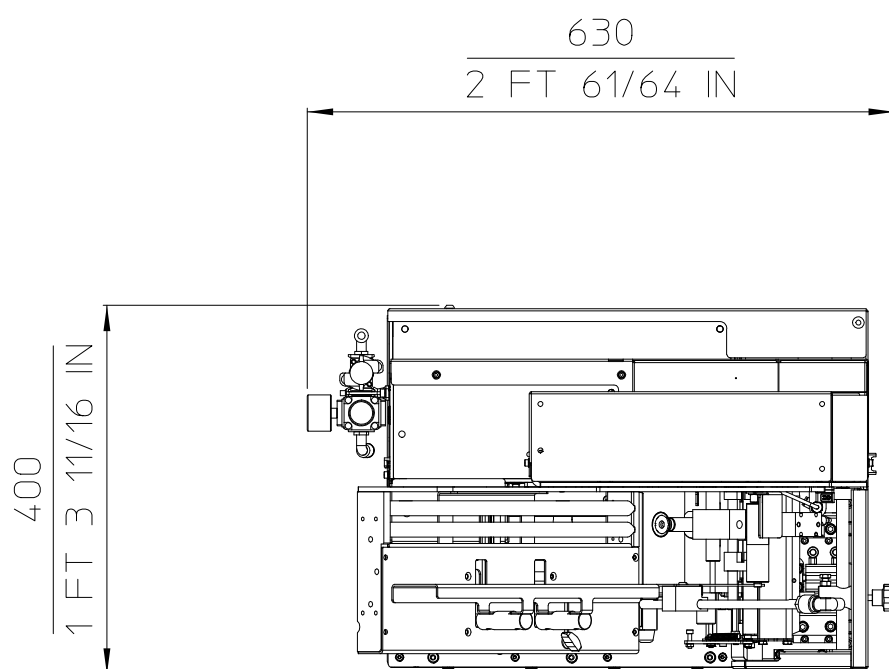
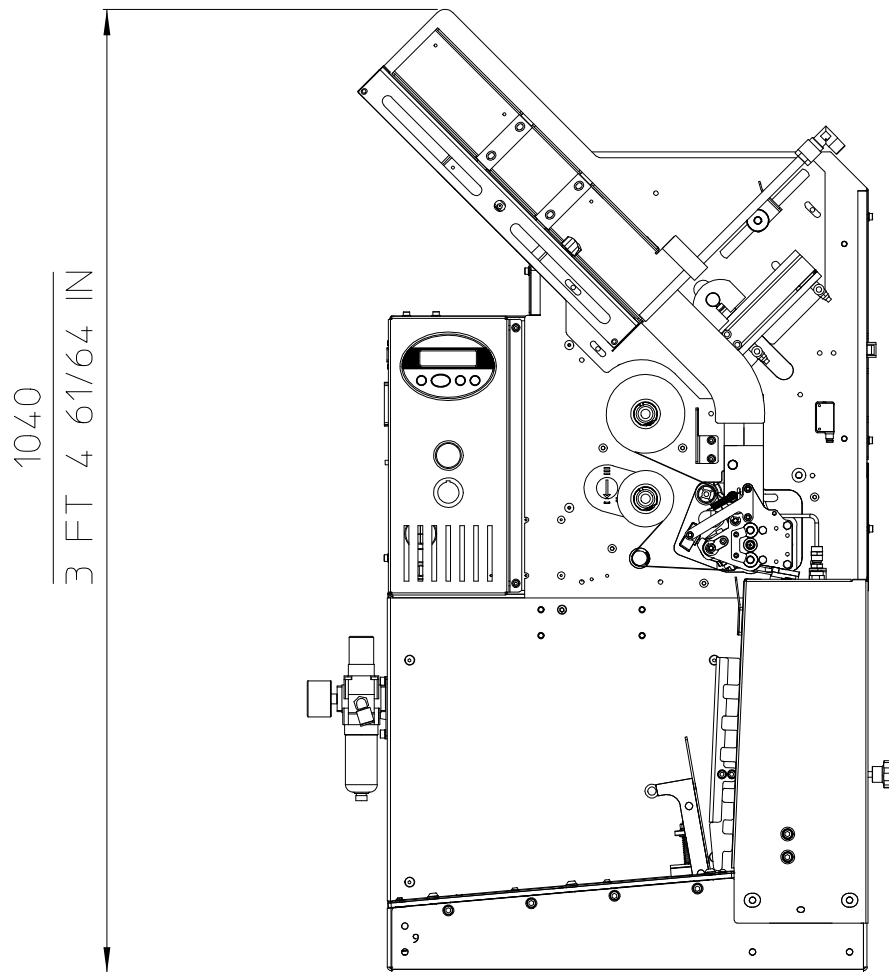
---

# SOCKS BOARDING RIDER PRINTER

Specifications	Values
Dimensions	400 x 630 x 1040 (h)
Air pressure	6 bar
Air consumption	2,5 m <sup>3</sup>
Installed power	0,6 kW
Printing capacity	40 pcs/min.
Cardboard width	45 - 100 mm
Cardboard length	100 - 250 mm

Features
High Productivity
High printing accuracy
Very easy to use

# SOCKS BOARDING RIDER PRINTER



# TECNOPEA



TECNOPEA S.R.L.

Via Don Eridano Torri, 2

25027 Quinzano d'Oglio, Brescia - Italy

Tel.: +39 030 992 3780 - Fax: +39 030 9923996

info@tecnopea.com - www.tecnopea.com